

Versa-Pak V5 TX

By PSI Waste Equipment Services, Inc.



Versa-Pak V5 TC SUPPORT www.versa-pak.net

Phone: 352-742-4774 Fax: 407-992-9389

E-mail or Text: support@versa-pak.net

Introduction

- The purpose of this manual is to provide the installer and owner with the necessary information to install our Versa-Pak Control system. Refer to equipment manufacturer's manual for additional information.
- PSI Waste shall not be responsible for conformity with any standards, codes, or regulations that apply to the combination of the features and options in the use of this product. The installer shall ensure, upon installation, the combination of features and options used are safe for the application and operational environment.
- Installer and user shall read and understand ANSI Standard Z245.2 (Compactor Safety), OSHA 29 CFR, Part 1910.147 (Lock out/ Tag out), and the OEM compactor operation, maintenance, and installation manual.
- If you are not fully qualified to install the Versa-Pak system safely, please stop and return it for a full refund!

Installation

Before installing

- Get familiar with the Versa-Pak system by studying the drawings and documentation included. It will not only save you time, but there are a lot of great features you'll want to use. Refer to it frequently.
- Spend a few minutes watching all our youtube videos at www.versa-pak.net . You'll learn a lot! Average video length is 3-1/2 mins. Videos are easy to watch on your smart phone too.
- Please do not leave your manual behind when heading out to install our control system in the field! If you do forget it, please go to www.versa-pak.net to download one. If you don't have a smart phone find a computer, download a manual, and print it out.
- Make sure your control panel has a transformer that provides 120V power. Most compactors do.
- There are compactors out there with two stage pumps, additional valves, etc. that may NOT be compatible with our control system. If you are not sure, take a few pics and email us. We'll steer you I the right direction.
- Please leave all documentation in the control panel. There is nothing worse than getting to a site and not having the info you need to make a simple adjustment or troubleshoot a problem. If you need extra copies you can download them or call us and we'll send you a set, free of charge.

Install- PLEASE, DON'T FORGET YOUR MANUAL!

1. We have included a manual, schematic decal, motor data tag decal, wire ties, tie pads, screws, wire nuts etc. to ensure you can install the Versa-Pak system in a professional manner. Please do so.
2. Remove control system and terminal blocks. Leave only the transformer and starter.
3. Remove all wires from contact blocks on the control buttons.
4. Start button and reverse button should have (1) N.O. contact block. E-Stop should have (1) N.C. contact block.
5. Install control system and wire according to diagram included.
6. Set pressure switch. We typically set the pressure switch 150-250psi below relief pressure.
7. Set relief pressure. Most compactors are set at 1800psi or so for timer shifting units. But some are much lower and some higher. If your compactor was limit or pressure shifting the relief is set too high for timer shifting.
8. Set Timers T0 (Forward Time), T1 (Reverse Time), T2 (Multi-Cycle Timer).
9. Enable other features as required.
10. Install data decal and schematic decal.
11. Give us a call if you have any problems.

Versa-Pak V5 TX- Getting Started

Versa-Pak V5 is the 5th generation of PSI Waste's compactor control system designed especially for used stationary, self-contained and apartment style compactors. It provides all of your favorite features including safety and equipment longevity features you won't find in OEM units.

Versa-Pak is a timer shifting unit and has a smart-shift feature that shifts the compactor into reverse if it deadheads for more than a few seconds. There are many settings that can be changed to help you solve problems like poor power.

Our TX Version

Our TX Version is specifically Designed to Auto-Start with a timer. It uses a key switch to turn this timer operation on. TX does not have Photo Eye or Auto-Count functionality. Otherwise all other functionality is the same as our popular Versa-Pak Standard Version. See Page 6 of this manual to learn more about Timer Operate.

A few things to remember

- The Versa-Pak controller has a decal on the front to indicate the program version.
- You will use |ESC 0|, |OK 1|, |▼ 2|, |◀ 3|, |▶ 4|, and |▲ 5| buttons to navigate the menu. You can always go back by using the |ESC 0| button.
- All settings are in PARAMETERS. If you are asked for a password, you are in the wrong place. Hit |ESC 0|.
- When changing settings or navigating through PARAMETERS you will use |OK 1| a lot. |OK 1| indicates you want to change the setting or parameter or you are done changing the setting or parameter.
- You change digits not numbers. In other words, if the number is 10 and you are on the zero and press down one time it will be 19 because the 0 will turn into a 9, 1 will stay the same.
- Since our system is timer shifting- if you install on a pressure shifting, amp shifting, or limit switch shifting unit you will probably need to turn the pressures down. Either way its good practice to check pressures after install.

Status Screen

The Status Screen lets you know the program version, whether or not you are set to auto start, and error status. To switch to the status screen, press the |ESC 0| button. To change back to the home screen, press |ESC 0| again.

Use the status screen to check for the following.

- Program version will be displayed on line 1
- Timer Operation. If unit is set to start automatically using timer operation, the screen will display "Timer Operat" on line 3.
- Error Status. If unit shut down because of an error, the error will be displayed on line 4.

Buttons

Buttons on the front of the Versa-Pak controller perform multiple functions. In addition to setting parameters you can operate the compactor using these buttons. Before attempting this, make sure you know where the power disconnect is. Press the combination of buttons below to perform the listed task. FYI- the buttons still navigate the menu screen so after each command hit the |ESC 0| button to exit the menu so you don't accidentally change a parameter or something.

- Press |ESC 0| and |OK 1| to START compactor.
- Press |ESC 0| and |▼ 2| to STOP compactor.

Setting Parameters

We have a great youtube video for setting parameters. Stop, if you can, and go to www.versa-pak.net to watch our 3-1/2min video. It will save you time and walk you through better than the instructions below.

If you would rather wing it, keep reading.

To get to HOME screen turn power off and back on or press |ESC 0|. From HOME screen press |OK 1| ▼ 2| ▼ 2|. PARAMETERS should be blinking on and off. Press |OK 1|. Now you will see the 0 of T0 blinking on and off. Press |▼ 2|. You should be on Forward time. Press |OK 0| to change. Use |▲ 5| ▼ 2| ▶ 4| ◀ 3| to change each digit. You can set Forward and Reverse times down to the 1/10th of a second. Once the times are set press |OK| to save. Then navigate up to the parameter T0. To go to a different parameter press |OK| then use |▲ 5| to go to T1. Press |OK|. To get to a parameter other than "T" then instead of |▲ 5| to go to T1 hit |◀ 3| and then |▲ 5| to go to #0.

Basic Timers

Parameter Default	Parameter Name	Function	Notes
T0 (S) 19.00	Forward Timer	Ends forward stroke. Set for the time it takes the ram to go from all the way back to all the way forward.	For pressure shifting type cylinders set the time so that the cylinder never bottoms out in either direction. Timers are able to be set down to the 1/100 th so no need to bottom out. For bypass type cylinders allow the cylinders to bottom out for a fraction of a second.
T1 (S) 14.00	Reverse Time	Ends reverse stroke. Set for the time it takes the ram to go from all the way forward to all the way back.	
T2 (MM:SS) 01.00	Multi Cycle Timer	Causes compactor to run multiple cycles.	Compactor will stop at the end of the cycle following T2 timing out.
T3 (MM:SS) Default 10.00	Auto Shut-down	Shuts compactor down if it runs too long.	Reset with E-stop, key switch, or main power.

Using Fullness Features

Parameter Default/ Suggested	Feature Description	Activate Feature	Notes
#5 (S) 99.99 00.50	Part Full Light Turns on full light (Q3) but compactor continues to operate as usual. Light is reset by E-stop, maintenance door, key switch, or main power. Requires Pressure switch. Set at least 150psi below relief setting.	#5 must be set below Smart Shift timer (Tb) and 100% timer (T4). If you are using pressure shifting cylinders, be sure you are not deadheading forward. Timer is cumulative during multi cycle so you may add time if using pressure shifting cylinders to avoid false alarms.	Timer will ignore first stroke after cycle is interrupted or feed door is opened. So, if using a feed door interlock, the compactor must be set to run two cycles (T2). Only the second cycle will sense for fullness. Not compatible with Warning light and buzzer (used with Auto Start). Both features will work but Auto Start and Full features both use Q3 for their lights and buzzer outputs. So both features' lights/ buzzer will be activated at the same time causing confusion. Not compatible with Motor Off Delay (T6) and Cycle Resume (C1) if using pressure shifting cylinders.
T4 (S) 99.99 02.00	100% Full Turns on full light (Q3). Shuts down compactor immediately. Reset by E-stop, maintenance door, key switch or main power. Requires Pressure switch. Set at least 150psi below relief setting.	T4 must be set below Smart Shift timer (Tb). To use with Part Full feature, it must be set above part full timer (#5)	

Motor Drives

- Remove jumper from 5A to 4
- Put the two control wires coming from the motor drive to 5 and 5A.
- Always use a pressure switch or amp switch to limit deadheading of the motor at full pressure.
- Wire up the main power wires using same wire size as a 1 phase motor. For 10HP motor drives you should use 4ga wire. Never wire up a 10HP motor drive using less than 6ga wire.
- We recommend the following, but these recommendations are optional.
 - Use 3 position open center valve and set T5 and Tf to 03.00 to allow drive to start unloaded.
 - Employ recommendations in "Motor Power Issues" section of this manual.

Errors

Versa-Pak shuts down the compactor if it detects certain errors. In this event the error will be displayed on line 4 of the Status Screen. Check the status screen before clearing the error and correct the issue before continuing to operate compactor. To clear error either press the E-Stop, turn key switch off, or turn power off and back on.

Error Parameter	Common Causes	Possible Solution
Motor Overload (Input 5. Kits are not prewired)	This error is caused by the overload relay on the starter tripping Overload setting is wrong	Check Motor issues section of this manual for solutions Set overload setting correctly
Full/ Jam T4 default 99.99 (Full feature OFF)	The compactor is full Something blocking the ram in the charge box. Timers are set incorrectly	Empty compactor Clear the hopper and watch the ram cycle. Set timers correctly
Ran Too Long T3 default 10.00 (10min)	T2 (Multi Cycle) is set too high T3 (Auto Shut Down) is set too low Start wire shorted to power	Correct timer setting Correct timer setting Repair short
PSI Too Long #0 Default 01.00 (1 min)	Pressure switch has been on too long during the run time. This time is cumulative. Parameter #0 is time setting. Compactor was run with hoses disconnected QD's are bad Pressure switch is out of adjustment Pressure switch is bad Oil is too thick or too cold Hoses are too long	Check time setting. Should be 01.00 (1 minute) Connect hoses Replace QD's Adjust pressure switch Replace pressure switch Use thinner oil or let oil warm up Use larger diameter hoses or shorten them in length.

Motor Power Issues (including 208volt, 10HP/1Ph, Motor Drives)

If you are having issues with poor power, you should always make sure to check the following and correct any issues you find.

- Proper wire size for circuit (consider length of run too).
- Good connections (including motor junction box)
- Proper breaker and fuse sizes
- Proper motor wiring
- Disconnect, breaker, starter, etc. are in good working order and properly sized.
- Pressure setting. You should be able to start the power at full pressure unit with hoses not connected to cylinder. (NOT with pressure already on the pump though).
- Size of pump vs motor size. Generally speaking- the GPM of the pump should be no higher than the HP of the motor. So a 10HP/ 1Ph motor should have no more than a 10GPM pump. Smaller is better.
- Check to see if the power unit can be started with the compactor not hooked up. If so, install a "compactor gone" interlock connector to the compactor so when the driver pulls the compactor, he has to disconnect the connector disabling the power unit. Wire up like Maintenance door.

Versa-Pak Features that can help- see appropriate section in manual to use feature

- Smart Shift (Page 5)- Prevents long periods of high pressure. Reduce time setting.
- Forward Delay (Page 5)- Starts motor with valve in center position so that motor never starts under a load.
- Motor Off Delay (Page 5)- allows motor to idle for a period of time so that compactor can be restarted without restarting the motor. This is especially helpful for 10HP/ 1Ph motors.
For Auto-Count units use Cycle Interrupt Settings (Page 6).

Smart Shift Adjustments

Parameter Default	Parameter Name	Function	Notes
Tb (S) 02.10	Smart Shift Forward	Shifts compactor from forward to reverse if pressure switch detects pressure for Tb time setting.	Important for pressure shifting compactors. Prevents excessive deadheading.
#4 (S) 04.00	Smart Shift Reverse	Shifts compactor from reverse to forward if pressure switch detects pressure for #4 time setting.	Important for pressure shifting compactors. Prevents excessive deadheading when packing out. This may cause an issue (especially in colder weather) if the back pressure is high in reverse. If so you can shorten and/or oversize hoses.

NOTE 5.1: You can make unit pressure shifting if desired. Do not set below 00.50 (1/2 Sec) or it may cause a glitch. (Not compatible with fullness features.)

Time Delay Features

Parameter Default/ Alt	Parameter Name	Function	Notes
T5 (S) 00.01/03.00	Forward Delay	Delays shift of forward solenoid at beginning of cycle.	Requires open or tandem center valve. Allows motor to start under a no-load condition.
Tf (S) 00.01/01.00	Reverse Delay	Delays shift of reverse solenoid when pressing reverse button. Only change if necessary to prevent stalling of motor- mainly in poor power situations.	Requires open or tandem center valve. Allows motor to start under a no-load condition. Note: If running forward and Reverse button is pressed valve will shift to center for Tf time before shifting to Reverse.
T6 (S) 00.01/20.00	Motor off delay	Let's motor idle at end of cycle. Allows repeated starts without re-starting motor.	Requires open or tandem center valve. Great for 1 phase motors or motor drives or very poor power. Works well with auto-count (set C1 for 0001)

Timer Operated Compactors

Safety Precautions

- Ensure a minimum feet height of 42"
- All access to the charge box must be interlocked.
- With few exceptions that rarely apply- **YOU MUST INSTALL A WARNING LIGHT AND BUZZER** and delay start for 20secs according to ANSI standards! It is recommended that you use a PSI Waste Warning Light and Buzzer. Ours is made to work with a single output and the buzzer goes off after 5 seconds. It's easy to wire also.
- Use only Maintained (Push/Pull) Emergency Stop buttons. Install E-Stops at every point of entry.
- Install all safety decals including "This Machine Starts Automatically!"

Auto Timer Operation

Warning: Auto Timer Operate is not desirable in most situations. It is best used in applications where access to the charge chamber is limited and a photo cell would not work well. It should not be used in uncontrolled areas where someone may enter the charge chamber without locking out the unit.

Timer Operate will start the compact periodically (Time set for Tc HH:MM) if Auto Timer Switch is ON. After Tc has reached the set time, a warning light will sound for 5 seconds. 20 seconds after first warning the compactor will start and run one or more cycles (controlled by T2). It will then shut down and Tc will start timing again. This operation will continue as long as the Auto Timer Key Switch is in the ON position. If the feed door is open at the end of the warning time delay the compactor will not start. Tc will reset and start Timer Operate cycle again.

Enabling Timer Operate

- Install maintained 2 position key switch and wire as indicated on the drawing. You can also wire in a N.O. auxiliary contact from conveyor in series with switch for automatic cycling when conveyor is on.
- Set Tc to desired time setting.
- Turn key switch to AUTO (contact switch should be closed in AUTO position)
- Press the |ESC 0| button to go to the Status screen. You should see "V-P V5._TX" on line 1.
- You should see "Timer Operat" on line 3.
- Make sure T7 is set at 20.00 (Factory setting, ANSI delay start)
- Install light to Terminals 1 (common) and 14. Install buzzer to terminals 1 and 13.

Parameter Default	Parameter Name	Function	Notes
T7 (S) 20.00	ANSI Delay	Delays start for ANSI required 20 secs.	Warning light and buzzer will start to warn anyone in area of danger.
Tc (HH:MM) 03.00	Start Timer	Time between compactor stopping and next start.	This timer is initiated by the Timer Operate Key Switch. It is reset to 00.00 if motor starts or E-STOP is pressed.

Note 7.1: If compactor has no power for more than 2 days, you may have to re-initiate count using B7 and B3.

Confirm Auto Count status on Status Screen. Also this may apply to Note: 7.2 and 7.3 as well.

Note 7.2: You can have the Warning Buzzer sound only once when key switch is turned on and light run constantly. To do this push PLC buttons |▼ 2| and |ALT 7| at the same time. This will toggle the feature ON then OFF if repeated. To confirm this took effect, turn key switch on. Light and Buzzer should start immediately. Buzzer should shut off after 6 seconds. Light will stay on as long as key switch is on.

Note 7.3: If you choose not to use the warning light and buzzer you should set timer T7 to 00.01. Then bypass the feature using buttons |▶ 4| and |ALT 7|. This will enable the Full Feature light to work properly. "NO WARNING" will appear on line 4 of status screen.

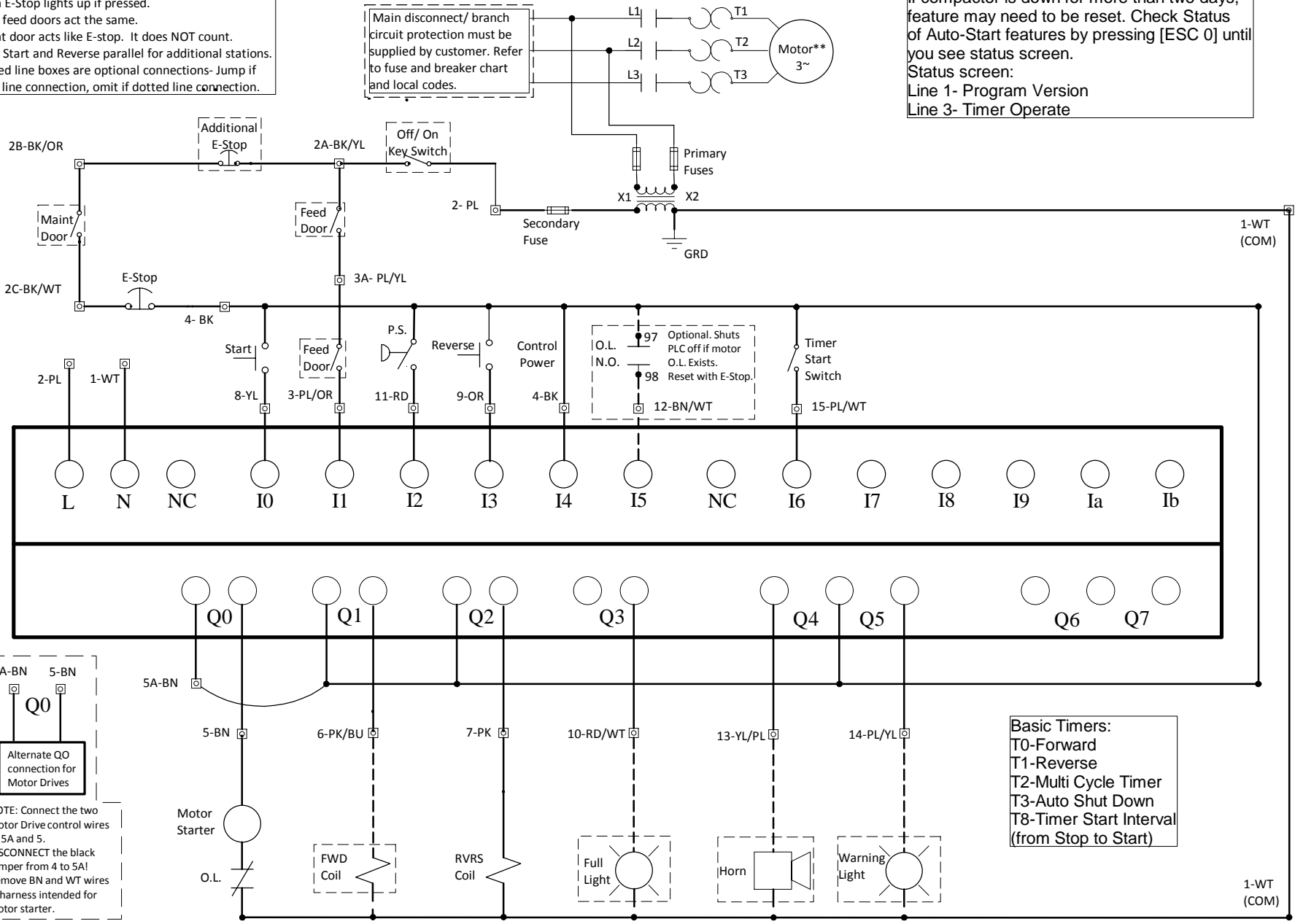
Note 7.4: If you need a steady pulse output for Horn you can change T9 from "F" to "O" type and set time to 06.00. Call PSI Tech support to figure out how to do this.

Notes:
 Both E-stops act the same.
 Main E-Stop lights up if pressed.
 Both feed doors act the same.
 Maint door acts like E-stop. It does NOT count.
 Wire Start and Reverse parallel for additional stations.
 Dotted line boxes are optional connections- Jump if solid line connection, omit if dotted line connection.

**For single phase motor jump T2 to L3 on starter, connect motor to T1 and T3.

Note for Auto-Start users:
 If compactor is down for more than two days, feature may need to be reset. Check Status of Auto-Start features by pressing [ESC 0] until you see status screen.
 Status screen:
 Line 1- Program Version
 Line 3- Timer Operate

Main disconnect/ branch circuit protection must be supplied by customer. Refer to fuse and breaker chart and local codes.



5A-BN 5-BN
 Q0
 Alternate Q0 connection for Motor Drives

NOTE: Connect the two Motor Drive control wires to 5A and 5. DISCONNECT the black Jumper from 4 to 5A! Remove BN and WT wires in harness intended for motor starter.

Basic Timers:
 T0-Forward
 T1-Reverse
 T2-Multi Cycle Timer
 T3-Auto Shut Down
 T8-Timer Start Interval (from Stop to Start)