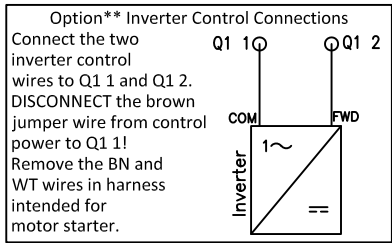
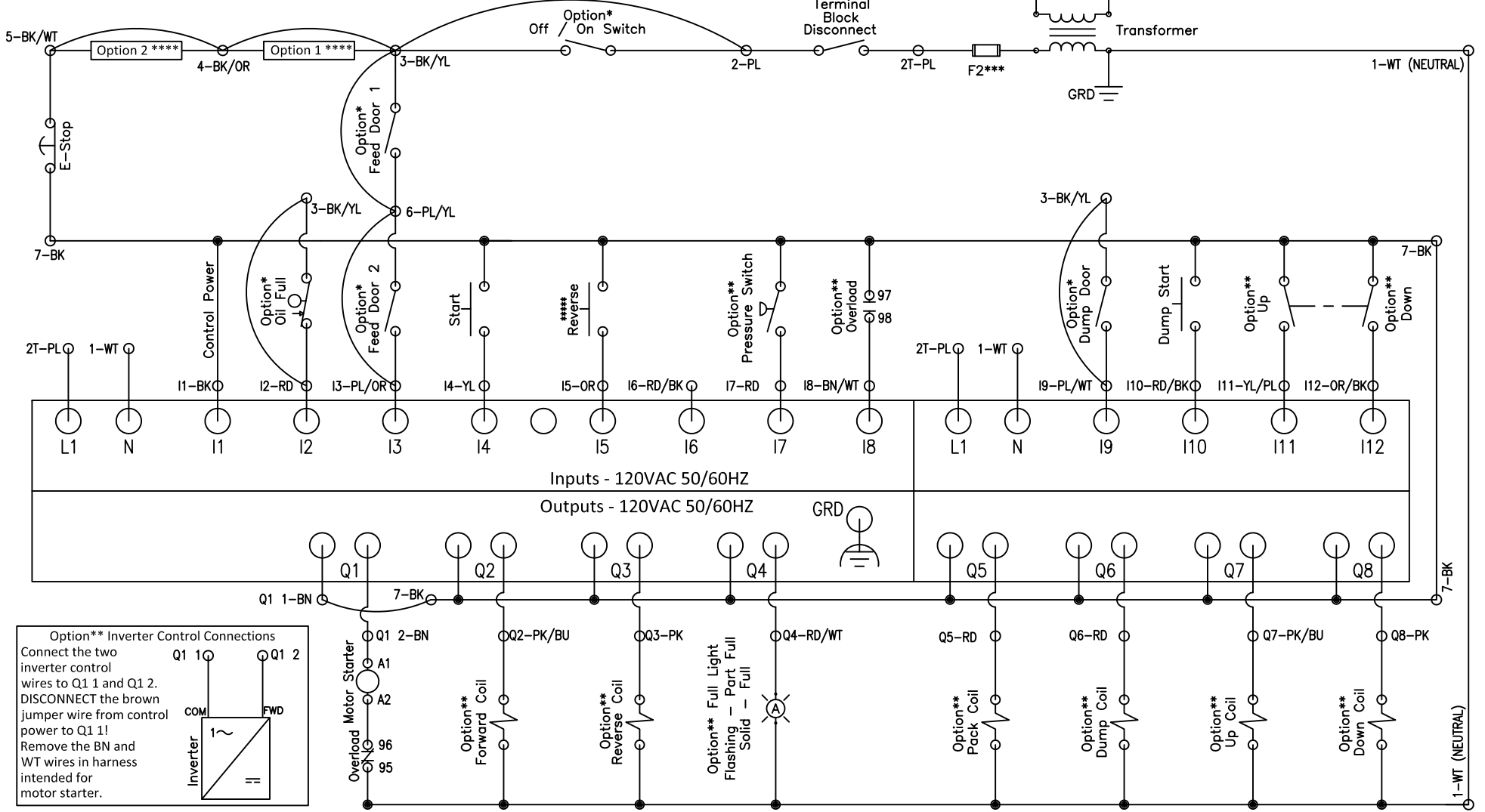
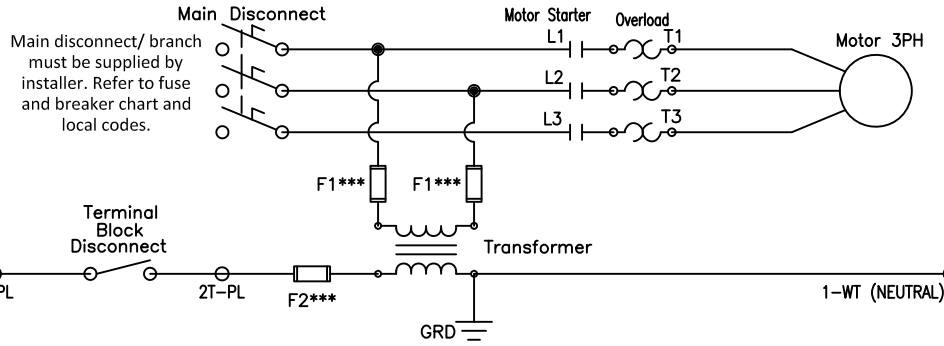


* Indicates optional components. If option is installed, remove the corresponding jumper from the center jumper rail.
 ** Indicates optional components. Omit connections if not installed.
 *** CAUTION: To reduce the risk of fire, replace only with UL listed fuses of the same type and rating.
 **** Use for options such as driver's switch, maintenance doors, or additional E-Stop. If option is installed, remove the corresponding jumper from the center jumper rail.
 ***** If Reverse button is not used, enable Strt Rv 9N 0Y or Rev Alw 9N 0Y to cause machine to start in reverse. See Operation Manual.

Field Wiring: Use copper wire only.

Scan for Support



Color Code:
 GR - Green | WT - White | PL - Purple | BK - Black | BN - Brown
 PK - Pink | BU - Blue | YL - Yellow | OR - Orange | RD - Red

Title: Versa-Pak 8XWD, Standard

Date: 9/5/23

DWG #: VP8XWD01

Drawn: CB