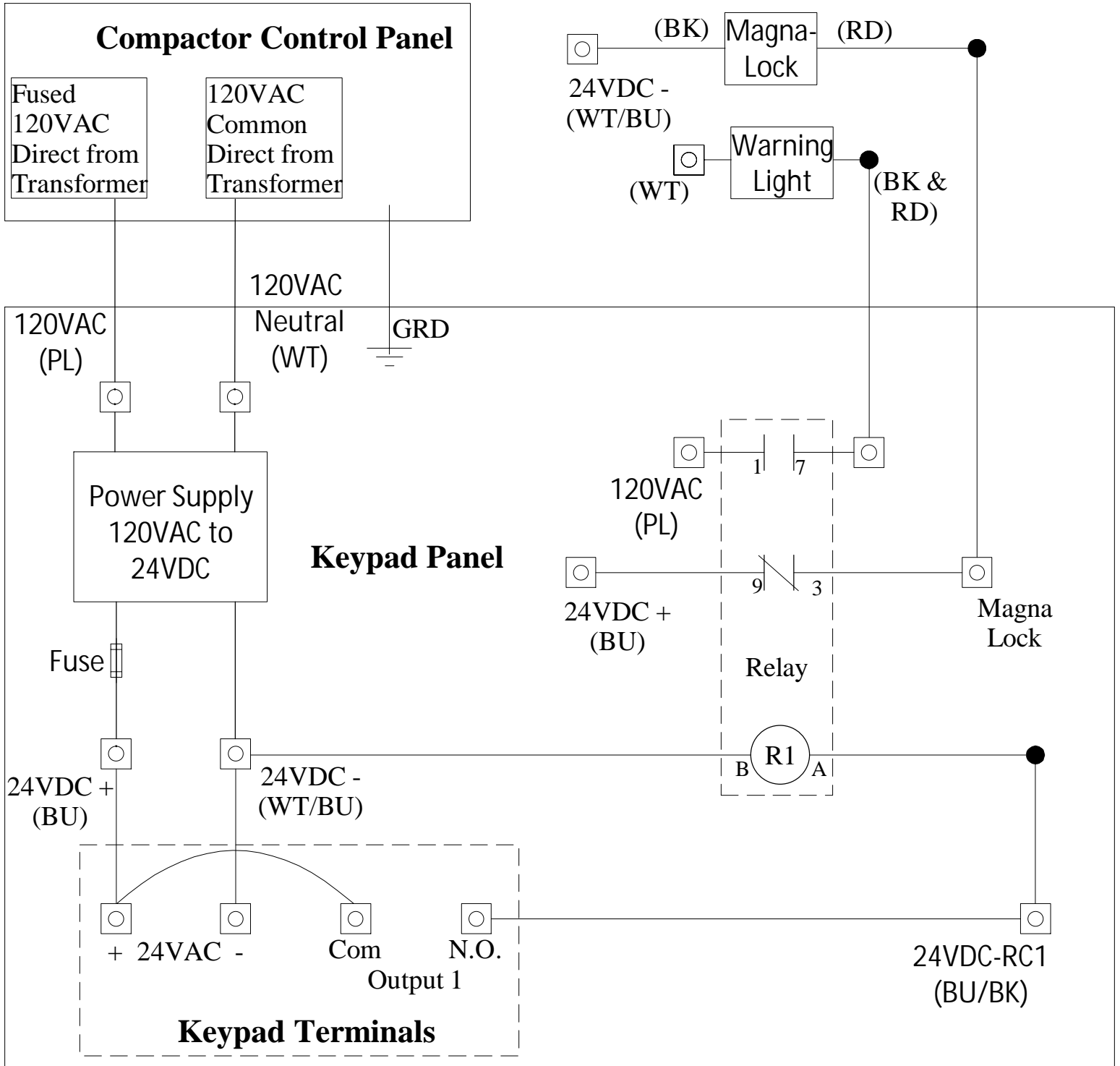


PSI Waste Equipment Services
Keypad Start Schematic KM-1.0
Support: www.versa-pak.net
352-742-4774



Keypad Start Schematic KM-1.0

Support: www.versa-pak.net
352-742-4774

Operation:

1357#

Compactor should start

Adding Codes

You can program additional codes using the below format:

1 [sequential code numbers 00 – 99] [*4 to 8-digit code you would like to use*] #

You can add a total of 100 different codes. Be sure to write them down in a chart before programming so you don't overwrite one. Below is an example of how to add codes 01 – 03. To exit programming mode press * at any time. If the keypad beeps 5 times rapidly you entered something incorrectly. Exit the program by pressing *. Try the last code you entered to make sure it was accepted then enter programming mode again by starting at the top.

31130*

Keypad will beep twice

101 [*4 to 8 digit code you would like to use*] #

Keypad will beep twice

102 [*4 to 8 digit code you would like to use*] #

Keypad will beep twice

103 [*4 to 8 digit code you would like to use*] #

Keypad will beep twice

*

Changing Off/On Time (default is 10 seconds)

31130*

Keypad will beep twice

40 [number of seconds you want unit to be on] #

*